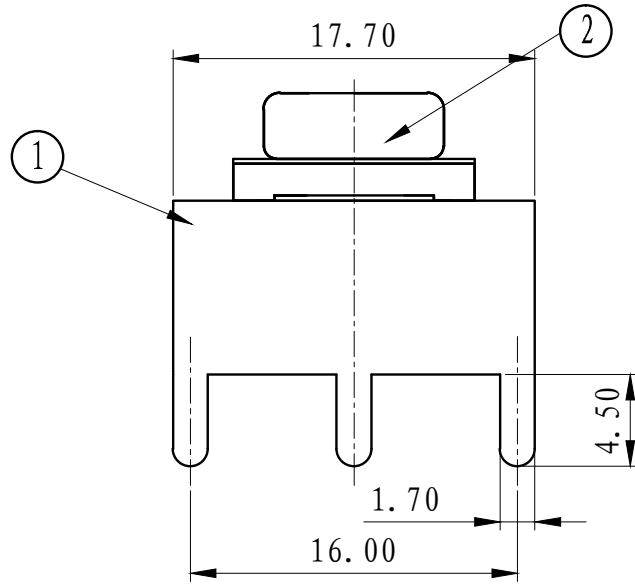
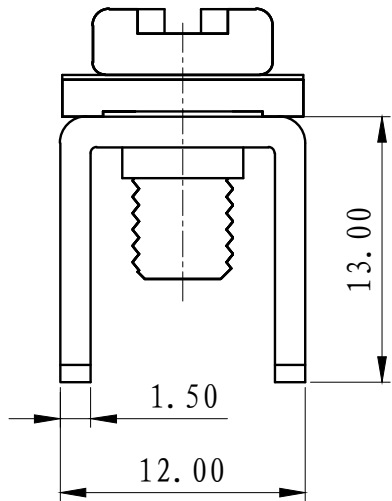
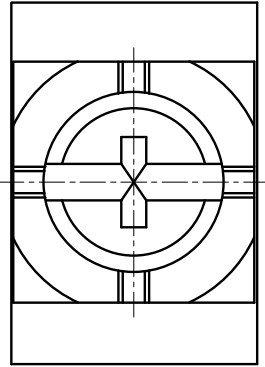
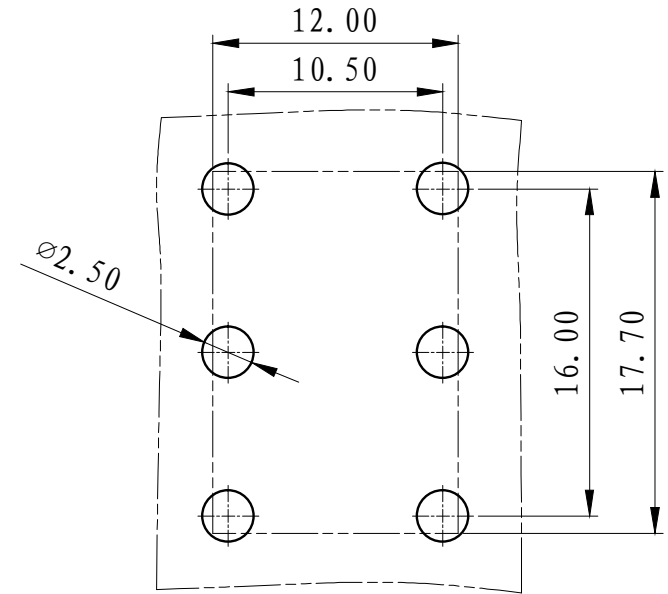


REVISION RECORD			
REV.	CONTENT	MOD.	DATE
△	初版发行		



技术要求:

1. 螺钉孔类型/扭力: M5/2.0 N.m以上
2. 适用线规: 20~6AWG
3. 额定电流: 75A



	pitch dimension			Nominal dimension					— ▱ ⤿
	over 0	6	over 10	over 0	over 30	over 60	over 100	over 150	
variable range	to 6	to 10	to 24	to 30	to 60	to 100	to 150		
Tolerance	±0.1	±0.15	±0.25	±0.2	±0.3	±0.5	±0.7	±1.0	0.05/10

2	M5*8.0-11.8*11.8		1	碳钢	镀镍
1	E8.0*17.7*13.0/6+M5	7004T0001AV	1	黄铜	镀雾锡
NO.	NAME OF PART	NO. OF PART	Q'TY	MATERIAL	NOTES
DES.	ZMF	DATE 2019/04/11	UNITS mm	THIRD ANGLE PROJECTION	
CHK.		DATE	SIZE A4	1 of 1	
APP.		DATE	SCALE 1:1	DWG NO. SP-2-7004001	REV: T0
上海有乐电气有限公司 Shanghai YouLe Electric CO.,LTD				TITLE	E8.0*17.7*13.0/6+M5/8*11.8-100-00A E8.0*17.7*13.0/6+M5/8*11.8-产品